



September 2024

The Audi Q2

Four years ago, Audi put a trendsetter on the road with the Q2. Now the compact SUV is showcasing its progressive character even more clearly – with an even more striking profile with new headlights on the outside and technology on the inside. The Audi Q2 is a real eye-catcher with unique character.

This pricelist will make it easy for you to build a Q2 that is truly reflective of you, taking you through all the model, engine and option choices. The online configurator is also available to build your dream car.





Engines and Pricing | Q2

Engine	Fuel type	Transmission	Power output (kW)	Torque (Nm)	Fuel consumption (l/100 km)			CO ₂ emissions (g/km)	0 – 100 km/h (sec)	Top speed (km/h)	RRP*
					Urban	Extra urban	Combined				
35 TFSI Urban Edition	Petrol	tiptronic	110	250	7.5	5.3	6.1	140	8.8	213	R 744,980
35 TFSI Black Edition	Petrol	tiptronic	110	250	7.5	5.3	6.1	140	8.8	213	R 767,680

Fuel consumption and CO₂ data applies to the German Market. The specified values are determined in accordance with certain test procedures. The specifications do not refer to an individual vehicle but serve only as a basis for comparing the different types of vehicles. In addition, the consumption figures achieved during normal driving may differ from the test values, depending in particular on special equipment fitted, vehicle loading, personal driving style, road and traffic conditions, environmental factors and conditions of the car. Pricing and specification is valid for vehicles produced from model year 2025 onwards.

* RRP is inclusive of VAT, CO₂ emissions tax and an optional 5 year/100,000km Audi Freeway Plan



Standard Equipment | Q2

Wheels:

- ▶ Anti-theft wheel bolts
- ▶ 18" Wheel (Urban Edition)
- ▶ 19" Wheel (Black Edition)
- ▶ Space-saving spare wheel
- ▶ Tyre pressure monitor
- ▶ Audi Sport/quattro GmbH wheels

Performance & suspension:

- ▶ Cruise control system
- ▶ Electronic Stability Control (ESC)
- ▶ Progressive steering
- ▶ Lane departure warning

Exterior equipment:

- ▶ Exterior mirrors, power-adjustable & heated
- ▶ Parking aid Plus
- ▶ Roof spoiler
- ▶ Standard bumpers

Lighting:

- ▶ LED headlights & rear lights
- ▶ Matrix LEDs
- ▶ Headlamp washer system
- ▶ Daytime running light
- ▶ Rear fog lamps

Audio & communication:

- ▶ Audi smartphone interface
- ▶ Audi sound system
- ▶ Bluetooth interface
- ▶ Audi virtual cockpit

Interior equipment:

- ▶ Auto-dimming interior rearview mirror, frameless
- ▶ Ambient lighting
- ▶ Anti-theft alarm system
- ▶ Remote control key with SAFELOCK
- ▶ Centre armrest in front
- ▶ Comfort automatic air conditioning system
- ▶ Deactivation switch for front passenger airbag

Interior equipment (cont.):

- ▶ Decorative inserts in Silver Gray Diamond Paint
- ▶ Headliner in Titanium Grey fabric
- ▶ ISOFIX child seat anchors and top tether for outer rear seats
- ▶ Leather-wrapped steering wheel, 3-spoke, with multi-function Plus
- ▶ Luggage compartment floor mat
- ▶ Power-operated child safety lock
- ▶ Sport seats, front
- ▶ Folding rear seat backrest
- ▶ Front head restraints
- ▶ Side airbags in front and curtain airbag system
- ▶ Tool kit and jack
- ▶ First aid kit and warning triangle
- ▶ Floor mats in front and rear
- ▶ Leather/leatherette seats
- ▶ Luggage compartment lid, electrically opening and closing

URBAN EDITION | Q2

Standard equipment

Panoramic glass sunroof

Parking aid plus

Leather/leatherette seats

Matrix LED headlights

Lane departure warning

Electric tailgate

18" 5-arm dynamic style wheel

Rear view camera

Comfort key



BLACK EDITION | Q2

Standard equipment

Extended black styling package

Rear view camera

Panoramic glass sunroof

Parking aid Plus

Leather/leatherette seats

Matrix LEDs

Lane departure warning

Audi Sport wheels, 10-Y-spoke, Black

Comfort key

Flat-bottom sports steering

Light graphic format inlay

Ambient lighting plus

Electric tailgate

Headlining in cloth, Black

Bumpers, S line in full paint finish







Paint Q2			Urban Edition	Black Edition
	A2A2	Brilliant Black, solid	No cost	---
	Z9Z9	Arkona white, solid	No cost	No cost
	N8N8	Dew Silver, metallic	R 2,620	R 2,620
	B1B1	Progressive red, metallic	R 2,620	R 2,620
	L5L5	Floret Silver, metallic	R 2,620	---
	2Y2Y	Glacier White, metallic	R 2,620	R 2,620
	0E0E	Mythos Black, metallic	R 2,620	R 2,620
	H1H1	Manhattan Grey, metallic	R 2,620	---
	2D2D	Navarra Blue, metallic	R 2,620	R 2,620
	6Y6Y	Daytona Grey, pearlescent	---	R 11,200
	1X1X	Arrow Grey, pearlescent	R 11,200	R 11,200
	Q0Q0	Audi exclusive paint finish*	R 43,200	R 43,200



Wheels | Q2

			Urban Edition	Black Edition
V68	Alloy wheels, 5-arm dynamic style, Graphite Grey, diamond-turned, 7.0J x 18, 215/50 R18 tyres		S	---
C8R	Audi Sport wheels, 5-arm turbine style, Matte Titanium Gray, diamond-turned, 8.0J x 19, 235/40 R19 tyres		---	S



Optional equipment|Q2

Equipment packages:		Urban Edition	Black Edition
WSX	Black styling package Includes black styling package, black mirrors, black blade, 19" black wheel (C8R), sport suspension	---	S
WBE	Matrix LED headlights package Includes Matrix LED headlights and lane departure warning	S	S
Lighting technology:			
Suspension:			
1JC	Sports suspension system	---	S



Optional equipment|Q2

Exterior equipment:		Urban Edition	Black Edition
4ZP	Audi rings in black Forces removal of model and technology designation (2Z0) at no cost	---	S
3FB	Panoramic glass sunroof	S	S
6H4	Blade in Manhattan Grey metallic	S	---
6XK	Exterior mirrors, power-adjustable, heated and folding, auto-dimming on both sides	R 6,000	R 6,000
4E7	Electric tailgate	S	S
PG3	Comfort key in combination with anti-theft alarm system with towing protection	S	S



Optional equipment | Q2

Interior equipment:		Urban Edition	Black Edition
Q4H	Sports seats in front	S	S
N1S	Leather/leatherette combination	S	S
2PK	Sports contour leather-wrapped steering wheel with multifunction plus, 3-spoke, shift paddles, flat-bottomed	---	S
7TM	Decorative inserts with light graphics format Only in combination with ambient lighting package plus (QQ2)	---	S
6NQ	Headliner in Black fabric	---	S
QQ2	Ambient lighting package plus Only in combination with decorative inserts with light graphics format (7TM)	---	S
QE3	Storage and luggage compartment package with USB ports in the rear	R 3,100	R 3,100



Optional equipment | Q2

Technology:		Urban Edition	Black Edition
9S8	Audi virtual cockpit The innovative, fully digital 12.3-inch instrument cluster provides a flexible and clearly structured display of information about the vehicle and its functions, tailored to your own specific requirements. Already included in WDP, but also available in conjunction with Connectivity Infotainment package (PYG) at additional cost.	S	S
9ZE + GB1	Audi phone box Includes the following features: universal bluetooth interface; comfortable, integrated speakerphone; coupling antenna for connecting the cell phone to the external antenna for improved reception quality and lower cell phone radiation in the vehicle interior; LTE support; wireless charging (Qi standard); charge status display in the MMI display; connection of a second mobile phone.	R 6,100	R 6,100
7X2	Parking aid plus Acoustic and visual park assist system for the front and rear with the MMI screen display showing a graphic representation of the distance to any obstacles detected outside and within the driving path. Measure measurement is by ultrasonic sensors concealed in the bumpers.	S	S
KA2	Rear view camera system An image of the area behind the vehicle is shown in the MMI display with dynamic display modes highlighting the calculated path or steering angle.	S	S



Important information

Welcome to Audi

Audi Freeway Plan | Motoring Peace of Mind

There can be no better motoring peace of mind than knowing that your car will be serviced, maintained and repaired, should this prove necessary, at no cost to you. Thanks to Audi Freeway Plan, that peace of mind could be yours.

The Audi Freeway Plan absorbs all maintenance and service costs, with the exception of between-service top-up fluids, fuel, cracked or broken glass, and tyres.

Recommended retail pricing is inclusive of an optional 5 year/100,000 km Audi Freeway Plan on all new Audi vehicles.

Top-up options to extend maintenance are available at extremely competitive rates. Audi has specially designed the Audi Freeway Plan for easy operation on the part of the owner. Making an appointment with any one of our approved Audi Servicing Dealers can effect regular servicing and maintenance as well as repairs (with the exception of accident damage).

All work is handled by the relevant service department, which will liaise directly with the Audi Freeway Plan Maintenance Unit. No extra effort or payment is required from the Audi owner. The Audi Freeway Plan is registered with the vehicle and as such is transferable to the new owner should the car be sold before the Audi Freeway Plan has expired, giving added resale value. The Audi Freeway Plan is available in addition to Audi's standard one-year/unlimited distance vehicle warranty. The Audi Freeway Plan is subject to certain exclusions, covers any repairs necessary after the expiry of the standard warranty.

Audi Assist | Emergency and Personal Assistance

Audi Assist is a programme whereby Audi of South Africa and its Dealer Network pledge to provide you with peace of mind motoring by providing the infrastructure to support a countrywide emergency service 24 hours a day, every day.

The programme is known as Audi Assist and operates within the borders of South Africa as well as Namibia and Botswana. The objective of the programme is to ensure on the spot roadside assistance offered by a fully equipped and trained Audi technician.

The primary focus is to get you mobile in your own vehicle. Where a roadside repair cannot be effected and the vehicle needs to be towed to the nearest Audi dealer, you and the occupants of the vehicle will be transported to a place of safety in the dealer's roadside assistance vehicle.

Contact details within South Africa:

086 043 4838

Contact details for neighbouring states:

+27 41 994 5616

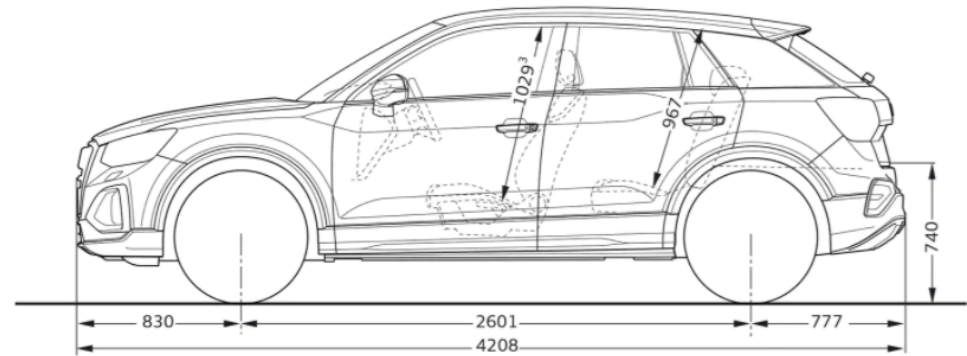
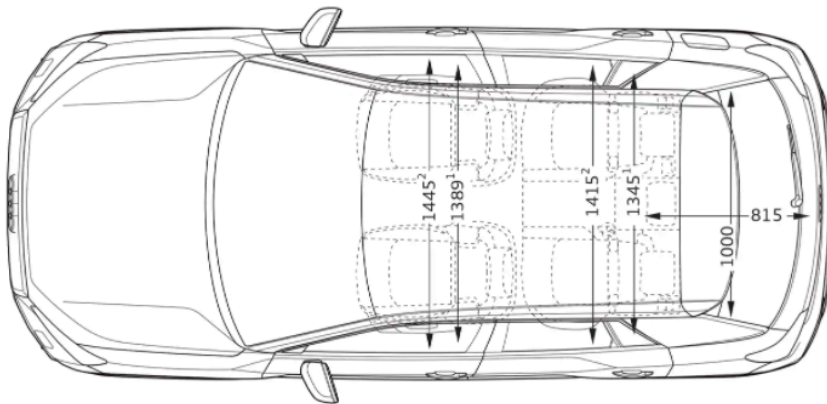
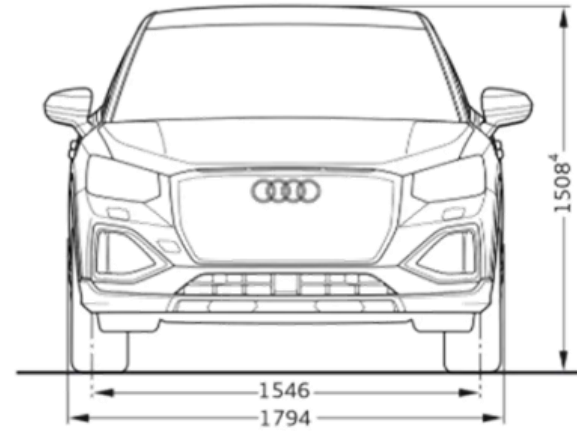
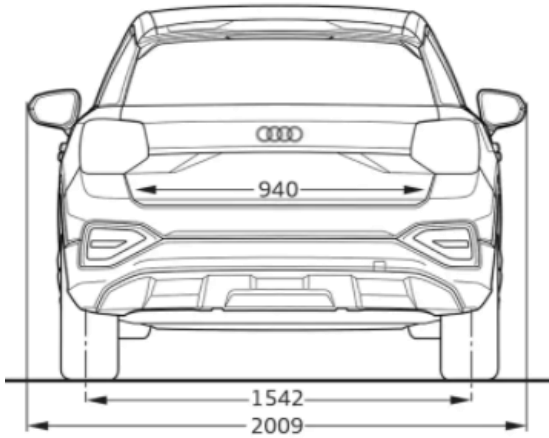
24 hours a day, 7 days a week

Vehicle model and VIN number will be required.



Audi Q2 Dimensions

All the measurements you need



Luggage compartment capacity:
 405l - behind 2nd seat bench
 1050l - with rear seats folded down



Information in this pricelist

We've done all we can to make the prices, specifications, technical details and all other information you see in this pricelist accurate at the time of publication. We reserve the right to change prices or specification at any time. All prices shown include VAT, which is currently charged at 15%. Recommended retail pricing is not binding on the dealer and is inclusive of an optional 5 year/100,000km Audi Freeway Plan. Pricing and specification is valid for vehicles produced from model year 2025 onwards.

Please check model availability and full specification details with your Audi Dealership prior to ordering. Neither Audi South Africa nor Audi Dealers can accept contractual responsibility for your reliance on the information contained in this pricelist. Performance figures and specifications relating to Audi vehicles are indicative only and performance cannot be guaranteed. Performance figures and specifications may be updated from time to time, when new test results or other information become available. Your local Audi Dealership can always provide you with the most up-to-date information available. Written and visual depictions (including photographs) of vehicles, are for illustrative purposes only and should not be relied upon. Some illustrations may not accurately reflect South African specifications (including paint and trim colours) and may not be available. If in doubt, always contact your local Audi Dealership.