

A7 | S7

Sportback

September 2024

The Audi A7 Sportback

Distinctive, unmistakable, A7. From its sharp lights and coupé-like silhouette to its sculptural rear end, the Audi A7 Sportback is an ambassador of a revolutionary language of design, carrying classic quattro genes at the same time. Proof that one can remain true to oneself through reinvention.

This pricelist will make it easy for you to build your A7 Sportback, taking you through all the model, engine and option choices. The online configurator is also available to build your dream car.





Engines and Pricing

Engine	Fuel type	Transmission	Power output (kW)	Torque (Nm)	Fuel consumption (l/100 km)			CO ₂ emissions (g/km)	0 – 100 km/h (sec)	Top speed (km/h)	RRP*
					Urban	Extra urban	Combined				
55 TFSI quattro	Petrol	S tronic	250	500	9.3	5.8	7.1	157	5.3	250	R 1,533,200
S7 TFSI quattro	Petrol	tiptronic	331	600	11.0	6.9	8.4	197	4,6	250	R 1,731,800

Fuel consumption and CO₂ data applies to the German Market. The specified values are determined in accordance with certain test procedures. The specifications do not refer to an individual vehicle but serve only as a basis for comparing the different types of vehicles. In addition, the consumption figures achieved during normal driving may differ from the test values, depending in particular on special equipment fitted, vehicle loading, personal driving style, road and traffic conditions, environmental factors and conditions of the car. Pricing and specification is valid for vehicles produced from model year 2025 onwards.

* RRP is inclusive of VAT, CO₂ emissions tax and an optional 5 year/100,000km Audi Freeway Plan



Standard Equipment | A7

Wheels:

- ▶ Anti-theft wheel bolts and loose wheel warning
- ▶ Audi Sport wheels, 5-double-arm style, 8.5J x 20, 255/40 R20 tires
- ▶ Space-saving spare wheel
- ▶ Tool kit and jack

Performance & suspension:

- ▶ 48-V electric system
- ▶ Audi drive select
- ▶ Mild hybrid
- ▶ Progressive steering
- ▶ quattro with ultra technology
- ▶ Sports suspension
- ▶ Standard exhaust system

Exterior equipment

- ▶ Body-colored exterior mirror housings
- ▶ Electric rear spoiler
- ▶ Exterior mirrors, power-adjustable, heated and power-folding, auto-dimming, with memory feature
- ▶ Left exterior mirror, convex

- ▶ Model designation as per new engine power designation
- ▶ Panoramic glass sunroof
- ▶ Rear window, rear door windows and side windows in clear glass
- ▶ S line bumpers
- ▶ S line logo, exterior
- ▶ Scuff plates with aluminum inserts in front and rear, illuminated, with "S" logo in front
- ▶ Side and rear windows with heat-reflecting glass
- ▶ Window trims in aluminum look
- ▶ Windshield with heat-reflecting glass

Interior equipment:

- ▶ 4-way lumbar support for the front seats
- ▶ 4-zone climate control system
- ▶ Airbags in front, front passenger airbag can be deactivated
- ▶ Ambient Lighting package plus
- ▶ Anti-theft alarm system
- ▶ Auto-dimming interior rearview mirror, frameless
- ▶ Comfort center armrest in front
- ▶ Decorative inserts in Aluminum Fragment
- ▶ First aid kit with warning triangle and safety vests

- ▶ Floor mats in front and rear
- ▶ Glossy Black operating buttons with haptic feedback and aluminum Look interior
- ▶ Headliner in Black fabric
- ▶ Leather/leatherette "mono.pur 550" combination
- ▶ Seat heaters in front
- ▶ Split-folding rear seat backrest
- ▶ Sports contour leather-wrapped multi-function steering wheel, with shift paddles, 3-spoke, flat-bottomed
- ▶ Standard pedal cluster
- ▶ Standard seats in front
- ▶ Storage package
- ▶ Sun visors in front
- ▶ Upper interior elements in leatherette
- ▶ Variable head restraints for front seats



Standard Equipment | A7

Audio & communication:

- ▶ Audi connect Emergency Call & Service with Audi connect Remote & Control

(Includes safety and service features in the event of damage, breakdown or minor accidents. Enables an emergency call or roadside assistance directly from module located in the roof of the vehicle in order to access emergency services support. Also includes security and convenience services such as remote functions (model-dependent) that network the vehicle with a smartphone through the myAudi app. Features include car finder, remote lock/unlock, geo-fencing, speed alert and theft/alarm notification. Services only supported in South Africa.)

- ▶ Audi connect Navigation & Infotainment

(Includes live and integrated navigation, traffic information, points of interests and weather updates. Services only supported in South Africa.)

- ▶ Audi music interface
- ▶ Audi phone box
- ▶ Audi virtual cockpit Plus
- ▶ Bang & Olufsen premium sound system with 3D sound
- ▶ LTE support for Audi phone box

- ▶ MMI navigation plus with MMI touch response
- ▶ Smartphone interface
- ▶ Top infotainment system Premium (MIB3)

Safety and convenience:

- ▶ Comfort key with sensor-controlled luggage compartment release with SAFELOCK
- ▶ Cruise control system with speed limiter
- ▶ Electric steering wheel adjustment
- ▶ Extended pedestrian protection
- ▶ Increase in initial standard fuel filling
- ▶ Indirect tire pressure monitoring system
- ▶ ISOFIX child seat anchors and top tether for outer rear seats
- ▶ ISOFIX child seat anchors for front passenger seat
- ▶ Luggage compartment lid, electrically opening and closing
- ▶ Parking aid Plus
- ▶ Power front seats with memory feature for the driver seat
- ▶ Rear view camera system
- ▶ Side airbags in front and curtain airbag system
- ▶ With multifunction camera

Lighting:

- ▶ HD Matrix LED headlamps with dynamic light design and dynamic turn signal
- ▶ LED headlamps and rear combination lamps with dynamic light design and dynamic turn signal
- ▶ Separate daytime running light



Standard Equipment | S7

Wheels:

- ▶ Anti-theft wheel bolts and loose wheel warning
- ▶ Audi Sport wheels, 5-V-spoke star style, 8.5J x 21, 255/35 R21 tires
- ▶ Disc brakes in front, 19-inch, brake calipers painted in Red with "S" lettering
- ▶ Disc brakes in rear, 18-inch, brake calipers painted in Red
- ▶ Space-saving spare wheel
- ▶ Tool kit and jack

Performance & suspension:

- ▶ 48-V electric system
- ▶ Audi drive select
- ▶ Mild hybrid
- ▶ Progressive steering
- ▶ quattro (with self-locking center differential)
- ▶ Sports suspension
- ▶ Standard exhaust system

Exterior equipment

- ▶ Electric rear spoiler
- ▶ Exterior mirror housings in Aluminum Look

- ▶ Exterior mirrors, power-adjustable, heated and power-folding, auto-dimming, with memory feature
- ▶ Panoramic glass sunroof
- ▶ Rear window, rear door windows and side windows in clear glass
- ▶ S model bumpers
- ▶ Scuff plates with aluminum inserts in front and rear, illuminated, with "S" logo in front
- ▶ Side and rear windows with heat-reflecting glass
- ▶ Window trims in aluminum look
- ▶ Windshield with heat-reflecting glass
- ▶ Head restraints in front
- ▶ Headliner in Black fabric
- ▶ Pedal cluster and footrest in stainless steel
- ▶ Sports seats Plus in front
- ▶ Seat heaters in front
- ▶ Split-folding rear seat backrest
- ▶ Sports contour leather-wrapped multi-function steering wheel, with shift paddles, 3-spoke, flat-bottomed
- ▶ Storage package
- ▶ Upper interior elements in leatherette
- ▶ Valcona leather with embossed "S"
- ▶ Decorative inserts in Matte Brushed Aluminum, dark

Interior equipment:

- ▶ 4-way lumbar support for the front seats
- ▶ 4-zone climate control system
- ▶ Airbags in front, front passenger airbag can be deactivated
- ▶ Anti-theft alarm system
- ▶ Auto-dimming interior rearview mirror, frameless
- ▶ Comfort center armrest in front
- ▶ First aid kit with warning triangle and safety vests
- ▶ Floor mats in front and rear
- ▶ Glossy Black operating buttons with haptic feedback and aluminum Look interior

Standard Equipment | S7

Audio & communication:

- ▶ Audi connect Emergency Call & Service with Audi connect Remote & Control

(Includes safety and service features in the event of damage, breakdown or minor accidents. Enables an emergency call or roadside assistance directly from module located in the roof of the vehicle in order to access emergency services support. Also includes security and convenience services such as remote functions (model-dependent) that network the vehicle with a smartphone through the myAudi app. Features include car finder, remote lock/unlock, geo-fencing, speed alert and theft/alarm notification. Services only supported in South Africa.)

- ▶ Audi connect Navigation & Infotainment

(Includes live and integrated navigation, traffic information, points of interests and weather updates. Services only supported in South Africa.)

- ▶ Audi music interface
- ▶ Audi phone box with LTE support
- ▶ Audi virtual cockpit Plus
- ▶ Bang & Olufsen premium sound system with 3D sound
- ▶ MMI navigation plus with MMI touch response

- ▶ Smartphone interface
- ▶ Top infotainment system Premium (MIB3)

Safety and convenience:

- ▶ Audi pre sense basic
- ▶ Comfort key with sensor-controlled luggage compartment release with SAFELOCK
- ▶ Cruise control system with speed limiter
- ▶ Electric steering wheel adjustment
- ▶ Indirect tire pressure monitoring system
- ▶ ISOFIX child seat anchors and top tether for outer rear seats
- ▶ ISOFIX child seat anchors for front passenger seat
- ▶ Luggage compartment lid, electrically opening and closing
- ▶ Parking aid Plus
- ▶ Power front seats with memory feature for the driver seat
- ▶ Rear view camera system
- ▶ Side airbags in front and curtain airbag system
- ▶ With multifunction camera

- ▶ Ambient Lighting package plus
- ▶ HD Matrix LED headlamps with dynamic light design and dynamic turn signal
- ▶ Headlamp washer system
- ▶ LED rear combination lamps with dynamic light design and dynamic turn signal
- ▶ Separate daytime running light

Lighting:

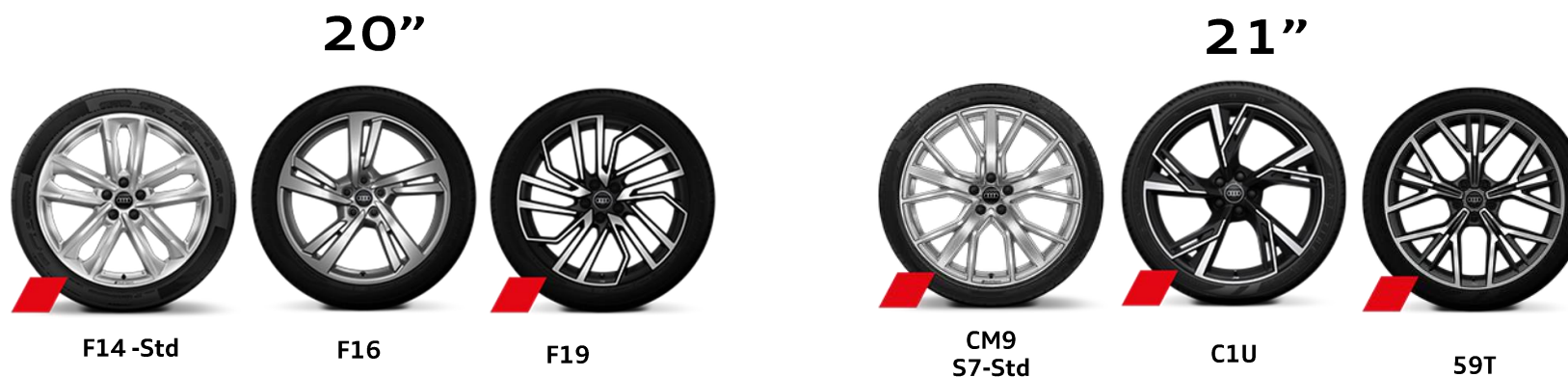
Paint

Colour Code		Description	55 TFSI	S7
9W9W		Ascari Blue Metallic	R38,400	R38,400
Z7Z7		Chronos Grey Metallic	No cost	No cost
5U5U		Firmament Blue Metallic	No cost	No cost
L5L5		Floret Silver Metallic	No cost	No cost
2Y2Y		Glacier White Metallic	No cost	No cost
S5S5		Grenadine Red Metallic	No cost	No cost
0E0E		Myth Black Metallic	No cost	No cost
6Y6Y		Daytona Grey Pearlescent	R18,370	R18,370
A2A2		Brilliant Black	No cost	No cost
Q0Q0		Individual paint finish, Audi exclusive	R83,900	R83,900



Wheels & tyres

		55 TFSI	S7
F19	Audi Sport wheels, 5-segment-spoke Evo style, Black Matte, diamond-turned, 8.5J x 20, 255/40 R20 tires	R7,200	---
C1U	Audi Sport wheels, 5-V-spoke trapezoidal style, Anthracite Black, diam.-turn., 8.5J x 21, 255/35 R21 tires	R15,800	---
59T	Audi Sport wheels, 5-arm-multi-spoke style, Matte Dark Gray, diamond-turned, 8.5J x 21, 255/35 R21 tires	---	R7,300
1G8	Tire mobility system	No cost	No cost
1S2	Tool kit	No cost	No cost





Optional extras

Equipment packages and exterior styling:		55 TFSI	S7
4ZD	Black styling package Front radiator grille frame, styling accents on front bumper in Titanium black and side window trims in high-gloss black	R12,800	R12,800
4ZP	Black Styling package Plus	R16,600	R16,600
WQS	S line interior	R2,000	S
Lighting:			
9TG	Door entrance LED lighting with logo projector in front	R2,700	R2,700
PXC	HD Matrix LED headlamps with Audi laser light, LED rear combination lamps and headlamp washer system Audi Matrix LED technology provides precise illumination of the road whilst reducing the risk of dazzling other road users. The Audi laser light complements the LED high beam from a speed of 70 km/h. Matrix LED's calculates the appropriate lighting required and automatically dips or turns off individual lighting diodes, creating a corridor of lights either side of the vehicle or object in front of it. Includes dynamic front and rear indicators which sweep from inside to out.	R23,400	R23,400
PXH	Tinted HD Matrix LED headlamps, LED rear combination lamps and headlamp washer system	R12,200	R12,200
Exterior equipment:			
6FA	Body-colored exterior mirror housings	S	No cost
6FJ	Exterior mirror housings in Black	R2,400	R2,400
GZ2	Power latching for the doors Convenient and safe door closing: automatically pulls doors into place that are not fully closed	R13,200	R13,200
1D4	Trailer hitch	R20,500	R20,500



Optional extras

<u>Seats and interior equipment:</u>		55 TFSI	S7
4A4	Seat heaters in front and rear	R8,100	R8,100
Q1D	Sports seats in front	R7,300	---
Q4Q	Sports seats Plus in front	---	S
5ZC	Variable head restraints for front seats	S	---
1XP	Leather-wrapped multi-function steering wheel, 3-spoke, with shift paddles and steering wheel heating	R6,600	R6,600
7HF	Upper and lower interior elements in leather	R29,700	R29,700
7HD	Upper and lower interior elements in leatherette	R16,500	R16,500
N5D	Valcona leather Requires sport seats (Q1D) at additional cost.	R27,700	---
N2R	Valcona leather with embossed "S" Requires sport seats (Q1D) or S sport seats (Q4Q) at additional cost,	R27,700	S
5MK	Decorative inserts in Carbon Twill Structure	---	R16,800
7TH	Dynamics microfiber decorative inserts, Black	R11,700	R11,700



Optional extras

Infotainment:		55 TFSI	S7
UE8	USB ports with charging function in rear	R3,200	R3,200
Assistance Systems:			
PCV	Park Assist package with park assist plus	R22,900	R22,900
6K8	Audi pre sense front The safety measures offered by Audi pre sense front include: <ul style="list-style-type: none"> · tensioning of the front and, if available, the outer rear seat belts · optimisation of the seat position · activation of the hazard warning lights to alert other road users · closing of the windows and the panoramic glass sunroof 	R9,000	R9,000
KS1	Head-up display	R29,900	R29,900
PCH	Lane change warning incl. Audi pre sense rear, exit warning system and rear cross traffic assist This assist system supports the driver in city traffic and on roads with multiple lanes. Because it's easy to miss vehicles in the blind spot. In these cases, the system warns of critical situations involving vehicles approaching from behind. It also alerts you to potential collisions when getting out and reverse parking and, if required, Audi pre sense rear initiates targeted safety measures. This equipment includes: <ul style="list-style-type: none"> · side assist · exit warning · rear cross-traffic assist · Audi pre sense rear 	R19,200	R19,200
9R1	Night vision assistant	R46,000	R46,000



Optional extras

Infotainment:		55 TFSI	S7
PCC	Tour assistance package Combines various functions in one package. These provide even more comfort, safety and efficiency on long journeys and country roads. The system also assists with driving in traffic jams and through roadworks as well as when turning and swerving. The assist package Tour includes the following assist systems: · adaptive cruise assist · adaptive cruise control · active lane assist · efficiency assist · turn assist · swerve assist · emergency assist · Audi pre sense front	R41,700	R41,700
4X9	Audi pre sense rear package	R15,400	R15,400
Suspensions:			
1BK	adaptive air suspension Electronically controlled air suspension with infinitely adaptive damping system on all four wheels; automatically regulates vehicle level and damping; including level control and manual lift function. Different modes can be set via the Audi drive select menu.	R33,700	R18,200
PHZ	Dynamic all-wheel steering	R40,600	R40,600
GH2	quattro with sports differential	---	R32,100



Important information

Welcome to Audi

Audi Freeway Plan | Motoring Peace of Mind

There can be no better motoring peace of mind than knowing that your car will be serviced, maintained and repaired, should this prove necessary, at no cost to you. Thanks to Audi Freeway Plan, that peace of mind could be yours.

The Audi Freeway Plan absorbs all maintenance and service costs, with the exception of between-service top-up fluids, fuel, cracked or broken glass, and tyres.

Recommended retail pricing is inclusive of an optional 5 year/100,000 km Audi Freeway Plan on all new Audi vehicles.

Top-up options to extend maintenance are available at extremely competitive rates. Audi has specially designed the Audi Freeway Plan for easy operation on the part of the owner. Making an appointment with any one of our approved Audi Servicing Dealers can effect regular servicing and maintenance as well as repairs (with the exception of accident damage).

All work is handled by the relevant service department, which will liaise directly with the Audi Freeway Plan Maintenance Unit. No extra effort or payment is required from the Audi owner. The Audi Freeway Plan is registered with the vehicle and as such is transferable to the new owner should the car be sold before the Audi Freeway Plan has expired, giving added resale value. The Audi Freeway Plan is available in addition to Audi's standard one-year/unlimited distance vehicle warranty. The Audi Freeway Plan is subject to certain exclusions, covers any repairs necessary after the expiry of the standard warranty.

Audi Assist | Emergency and Personal Assistance

Audi Assist is a programme whereby Audi of South Africa and its Dealer Network pledge to provide you with peace of mind motoring by providing the infrastructure to support a countrywide emergency service 24 hours a day, every day.

The programme is known as Audi Assist and operates within the borders of South Africa as well as Namibia and Botswana. The objective of the programme is to ensure on the spot roadside assistance offered by a fully equipped and trained Audi technician.

The primary focus is to get you mobile in your own vehicle. Where a roadside repair cannot be effected and the vehicle needs to be towed to the nearest Audi dealer, you and the occupants of the vehicle will be transported to a place of safety in the dealer's roadside assistance vehicle.

Contact details within South Africa:

086 043 4838

Contact details for neighbouring states:

+27 41 994 5616

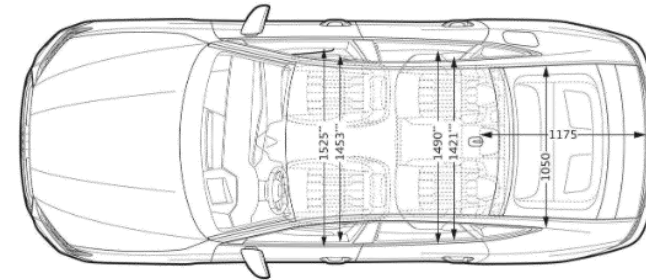
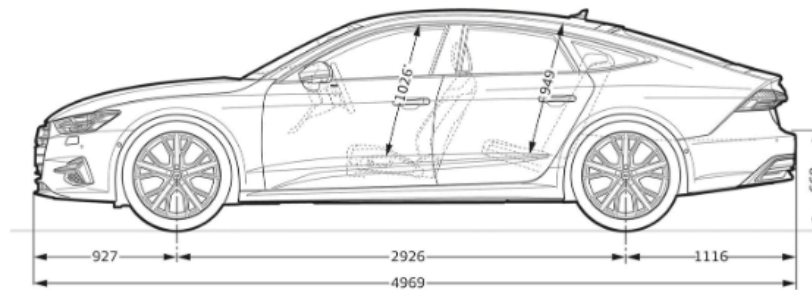
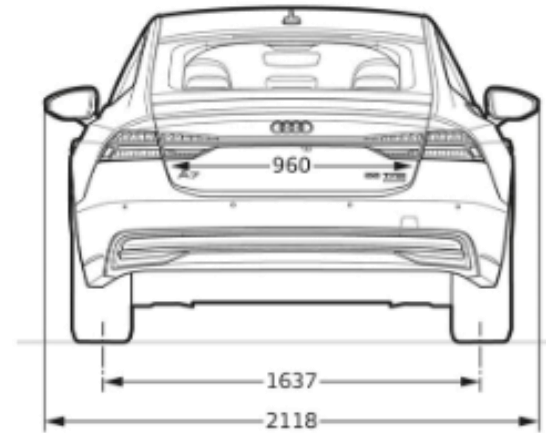
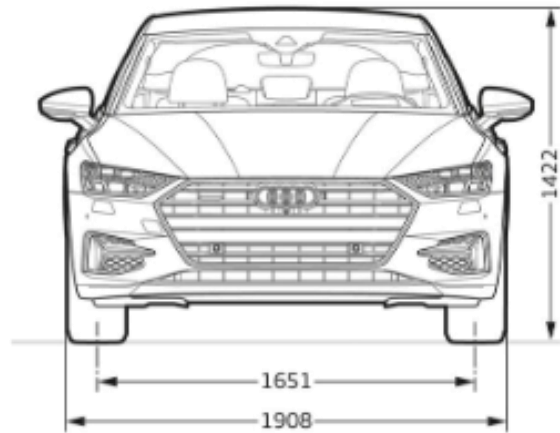
24 hours a day, 7 days a week

Vehicle model and VIN number will be required.



A7 dimensions

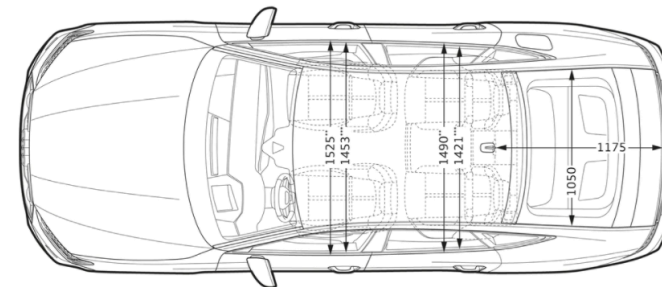
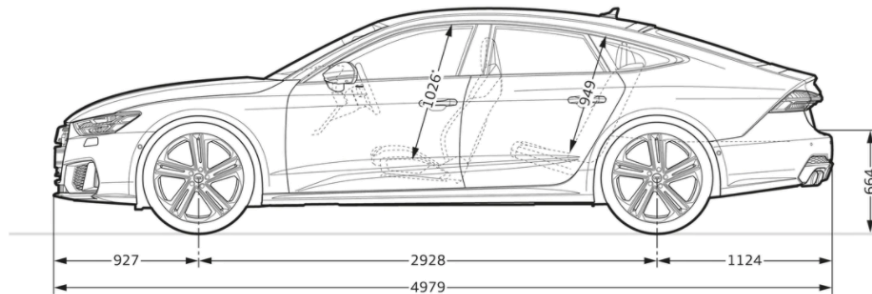
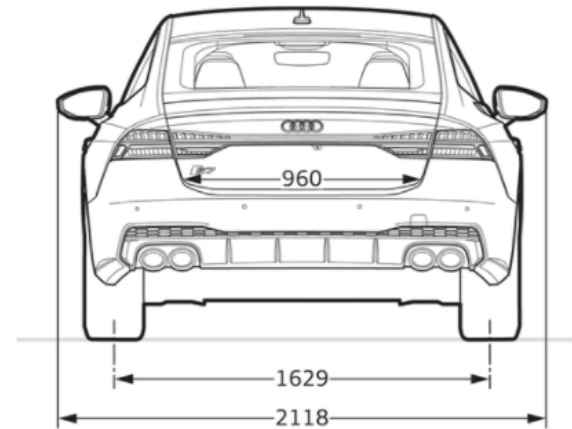
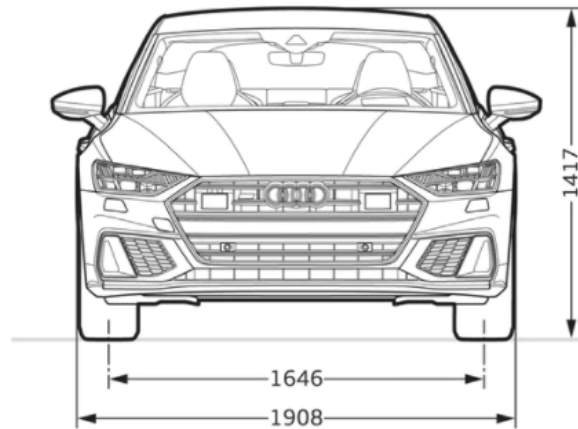
All the measurements you need





S7 dimensions

All the measurements you need



Luggage capacity: 535l

A7



Information in this pricelist

We've done all we can to make the prices, specifications, technical details and all other information you see in this pricelist accurate at the time of publication. We reserve the right to change prices or specification at any time. All prices shown include VAT, which is currently charged at 15%. Recommended retail pricing is not binding on the dealer and is inclusive of an optional 5 year/100,000km Audi Freeway Plan. Pricing and specification is valid for vehicles produced from model year 2025 onwards.

Please check model availability and full specification details with your Audi Dealership prior to ordering. Neither Audi South Africa nor Audi Dealers can accept contractual responsibility for your reliance on the information contained in this pricelist. Performance figures and specifications relating to Audi vehicles are indicative only and performance cannot be guaranteed. Performance figures and specifications may be updated from time to time, when new test results or other information become available. Your local Audi Dealership can always provide you with the most up-to-date information available. Written and visual depictions (including photographs) of vehicles, are for illustrative purposes only and should not be relied upon. Some illustrations may not accurately reflect South African specifications (including paint and trim colours) and may not be available. If in doubt, always contact your local Audi Dealership.