



September 2024

The Audi Q7.

A redesigned exterior and interior, a compelling driving experience thanks to quattro all-wheel drive and intelligent suspension solutions, a powerful design and plenty of space for up to seven passengers – this is the Audi Q7.

This pricelist will make it easy for you to build your Q7, taking you through all the model, engine and option choices. The online configurator is also available to build your dream car.





Engines

Engine	Capacity	Fuel type	Transmission	Power output (kW)	Torque (Nm)	Fuel consumption (l/100 km)			CO ₂ emissions (g/km)	0 – 100 km/h (sec)	Top speed (km/h)	RRP*
						Urban	Extra urban	Combined				
45 TDI quattro	3.0	Diesel	tiptronic	183	600	9.4	7.2	8.0	210	6.9	225	R 1,572,600
45 TDI quattro S line	3.0	Diesel	tiptronic	183	600	9.4	7.2	8.0	210	6.9	225	R 1,617,600
45 TDI Competition Edition	3.0	Diesel	tiptronic	183	600	9.4	7.2	8.0	210	6.9	225	R 1,732,200

Fuel consumption and CO₂ data applies to the German Market. The specified values are determined in accordance with certain test procedures. The specifications do not refer to an individual vehicle but serve only as a basis for comparing the different types of vehicles. In addition, the consumption figures achieved during normal driving may differ from the test values, depending in particular on special equipment fitted, vehicle loading, personal driving style, road and traffic conditions, environmental factors and conditions of the car.

* RRP is inclusive of VAT, CO₂ emissions tax and an optional 5 year/100,000km Audi Freeway Plan



Standard Equipment | Q7

Wheels:

- ▶ 19 inch alloy wheels in 5-spoke V style design
- ▶ Anti-theft wheel bolts and loose wheel warning
- ▶ Collapsible spare tire
- ▶ Tyre pressure monitoring system

Performance & suspension:

- ▶ Audi drive select
- ▶ quattro (with self-locking centre differential)
- ▶ Regenerative braking

Lighting:

- ▶ Headlamp washer system
- ▶ High-beam assist
- ▶ LED rear combination lamps

Exterior equipment:

- ▶ Anti-theft alarm system
- ▶ Black roof rails
- ▶ Exterior mirrors, power-adjustable, heated and folding, auto-dimming on both sides, with memory feature
- ▶ Luggage compartment lid, electrically opening and closing
- ▶ Bumpers in full paint finish

Audio & communication:

- ▶ Audi connect Car2X services
(Includes safety and service features in the event of damage, breakdown or minor accidents. Enables an emergency call or roadside assistance directly from module located in the roof of the vehicle in order to access emergency services support. Also includes security and convenience services such as remote functions (model-dependent) that network the vehicle with a smartphone through the myAudi app. Features include car finder, remote lock/unlock, geo-fencing, speed alert and theft/alarm notification.) Applicable to MY21 vehicles onwards. Services only supported in South Africa.
- ▶ Audi connect infotainment services
(Includes live and integrated Google Earth navigation, traffic information, points of interests and weather updates.) Applicable to MY21 vehicles onwards. Services only supported in South Africa.
- ▶ Audi music interface
- ▶ Audi smartphone interface
- ▶ Audi sound system
- ▶ Audi virtual cockpit Plus
- ▶ MMI Navigation plus

Interior equipment:

- ▶ 4-way lumbar support for the front seats
- ▶ 4-zone climate control system
- ▶ Ambient Lighting package
- ▶ Comfort center armrest in front
- ▶ Comfort key with sensor-controlled luggage compartment release
- ▶ Cricket leather
- ▶ Decorative inserts in Silver Grey Diamond Paint
- ▶ Driver and front passenger airbag with front passenger airbag deactivation
- ▶ Electric luggage compartment cover
- ▶ First-aid kit with warning triangle
- ▶ Floor mats in front and rear
- ▶ ISOFIX child seat anchors and top tether
- ▶ ISOFIX child seat anchors for front passenger seat
- ▶ Leather-wrapped steering wheel, 3-spoke, with multi-function Plus
- ▶ Parking aid Plus
- ▶ Power front seats with memory for the driver seat
- ▶ Rear view camera system
- ▶ Scuff plates with aluminum inserts in front and rear
- ▶ Side airbags in front and curtain airbag system
- ▶ Split-folding rear seat backrest, with backrest tilt adjustment
- ▶ Stainless steel loading edge protection
- ▶ Upper part of dashboard with contrast stitching

Standard Equipment | Q7 S line

S line equipment:

- ▶ 20-inch alloy wheels in 5-spoke turbine style design
- ▶ S line front / rear bumpers
- ▶ Front underrun protection
- ▶ Radiator grille in titanium black with vertical slats in aluminium silver matte
- ▶ Blade in the front spoiler and in the air inlets in matte platinum grey
- ▶ Inserts in the door trim strips with quattro embossing in matte platinum grey
- ▶ Rear underride protection and trim strip in matte platinum grey
- ▶ Door sills with aluminum inserts at the front and rear, illuminated, with S logo at the front
- ▶ S-roof edge spoiler
- ▶ High gloss package
- ▶ Roof rails in aluminium
- ▶ Loading sill protection in stainless steel
- ▶ S line emblem on the front fenders
- ▶ adaptive air suspension

Standard Equipment | Q7 Competition Edition



- ▶ S line exterior
- ▶ S line interior
- ▶ Valcona leather with embossed S logo
- ▶ Panoramic glass sunroof
- ▶ Matrix LED headlights
- ▶ Contour ambient lighting, multi-colour
- ▶ Black styling package, including black badging
- ▶ Black roof rails
- ▶ Carbon exterior mirror housings
- ▶ 22-inch Audi Sport wheel, 5-arm trapezoidal style, Anthracite Black
- ▶ Dark-tinted privacy glass for rear windows
- ▶ Door entrance LED projector lights in front and rear
- ▶ Rear seat bench plus (able to be upgraded to 7 seats, at additional cost)



Packages | Q7






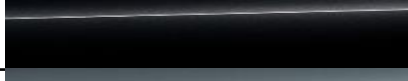


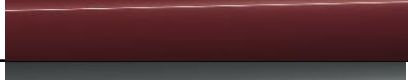
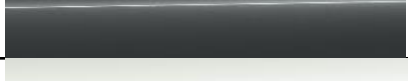


Comfort package

- ▶ **All-wheel steering**

Enables easier maneuvering, sporty driving behavior and confident, comfortable steering behavior. At low speeds, the steering effort and the turning circle is reduced by steering the rear wheels in opposite directions. This improves the responsiveness of the steering and driving stability of the Audi Q7.

- ▶ **Rear seat bench plus (upgrade to 7 seats possible)**
- ▶ **Adaptive cruise control with speed limiter, efficiency assist, swerve assist and turn assist**
- ▶ **Gloss black operating buttons with haptic feedback**
- ▶ **Aluminium look interior**



Paint Q7			45 TDI	45 TDI S line/ Competition Edition
3V3V		Tamarind Brown Metallic	No cost	---
F0F0		Satellite Silver Metallic	No cost	No cost
D6D6		Waitomo Blue Metallic	No cost	---
2Y2Y		Glacier White Metallic	No cost	No cost
2D2D		Navarra Blue Metallic	No cost	No cost
0E0E		Myth Black Metallic	No cost	No cost
3M3M		Samurai Grey Metallic	No cost	---
5Q5Q		Vicuna Beige Metallic	No cost	---
T7T7		Matador Red Metallic	---	No cost
6Y6Y		Daytona Grey Pearl	---	R 18,380
0Q0Q		Carrara White Solid	No cost	No cost
Q0Q0		Individual paint finish, Audi exclusive	R 83,000	R 83,000

Options are subject to availability and may extend time taken for delivery. All the colour swatches on this page are matched as accurately as possible to the actual paint colours used. Audi South Africa cannot guarantee that colours shown are 100% accurate. Visit your local Audi Centre for a more accurate colour swatch. *Audi exclusive paint is subject to factory approval. Visit your local Audi Centre for colour samples.



Wheels & tyres | Q7

		45 TDI	45 TDI S line	45 TDI Competition Edition
F06	Alloy wheels, 10-spoke star style, Graphite Grey, diamond-turned, 9.0J x 20, 285/45 R20 tyres	R 16,000	No cost	---
42P	Alloy wheels, 5-double-spoke V-style, Graphite Grey, diamond-turned, 9.5J x 21, 285/40 R21 tyres	R 33,100	R 19,600	---
F62	Audi Sport Alloy wheels, 5-double-spoke style, Matte Titanium Grey, diamond-turned, 9.5J x 21, 285/40 R21 tyres	R 36,000	R 24,500	---
C7W	Audi Sport Alloy wheels, 5-arm trapezoidal style, Anthracite Black, diamond-turned, 10Jx22, 285/35 R22 tyres	R 47,500	R 36,000	S
1G8 + 1S2	Tyre mobility system + Tool kit (forced with 3 rd row of seats – PE1)	No cost	No cost	No cost

19"

20"

21"

22"



Std 45 TDI



Std 45 TDI S line



F06



42P



F62



C7W



Packages | Q7

Packages		45 TDI	45 TDI S line	45 TDI Competition Edition
WFA	Comfort Package Contains the following equipment: <ul style="list-style-type: none"> ▶ All-wheel steering ▶ Rear seat bench plus (upgrade to 7 seats possible at additional cost) ▶ Adaptive cruise control with speed limiter, efficiency assist, swerve assist and turn assist ▶ Gloss black operating buttons with haptic feedback ▶ Aluminium look interior 	R 33,200	R 33,200	R 33,200
WQS	S line interior package Includes the following equipment: <ul style="list-style-type: none"> • Decorative inserts in Matte Brushed Aluminium • Sports seats in front • S line emblems • Headliner in black fabric • Pedals and footrest in stainless steel • Scuff plates with aluminum inserts in front and rear, illuminated, with "S" logo in front Forces alternative upholstery (N1V or N7K) at no additional cost	R 30,500	R 30,500	S
4ZB	High-gloss styling package Window strips in anodized aluminium	R 3,150	S	---
4ZD + 6FJ	Black styling package Accentuates the high-quality exterior and the dynamic side lines of the vehicle by setting black accents on the exterior in the area of the Audi Singleframe, the trim strips on the side windows, the side door inserts and the front and rear bumpers. Includes mirror housings in black.	R9,000	R12,400	---
4ZP	Black styling package with Audi rings and badging in black	R12,400	R16,000	S



Optional equipment | Q7

Lighting:		45 TDI	45 TDI S line	45 TDI Competition Edition
PXC	Matrix LED headlights Provides precise illumination of the road whilst reducing the risk of dazzling other road users. Using information obtained from the vehicle's sensors, camera and MMI Navigation (if equipped), it identifies the appropriate lighting required. Using these sources, Matrix LED dips or fully extinguishes individual lighting diodes when vehicles are detected ahead. Matrix LED calculates the appropriate lighting required and automatically dips or turns off individual lighting diodes, creating corridors of light either side of the vehicle or the object in front of it. Includes dynamic front and rear indicators which sweep from inside to out.	R 19,900	R 19,900	S
Exterior equipment:				
3FU	Panoramic glass sunroof	R 29,100	R 29,100	S
QT7	Stainless steel running boards	R 18,300	R 18,300	R 18,300
3S1	Aluminium roof rails	R 1,500	R 1,500	---
3S2	Black roof rails	S	S	S
1D3	Trailer hitch, electrically swiveling (Forces adaptive air suspension - at additional cost for Standard model)	R 16,500	R 16,500	R 16,500
1D9	Trailer hitch including trailer maneuvering system The trailer stabilization takes place while driving via the electronic stabilization control (ESC). An additional integrated swiveling system socket enables the continuous operation of electrical devices in the trailer or caravan even while driving. The towing device and the system socket can be swiveled out of sight behind the bumper apron. The trailer assistant supports the driver when using the vehicle as a towing vehicle when reversing. A Trailer can be steered automatically with the trailer assistant. The driver controls the direction conveniently using touch controls on the MMI touch response display.	R21,000	R21,000	R21,000
9TF	Door entrance LED projector lights in front and rear	R 4,000	R 4,000	S
GZ2	Soft closing doors	R 12,900	R 12,900	R 12,900



Optional equipment | Q7

Interior equipment:		45 TDI	45 TDI S line	45 TDI Competition Edition
QQ2	Ambient Lighting package plus, multicolour A selection of 30 colours is available for the individual colour profile. The colour adjustments are made separately for the below areas: <ul style="list-style-type: none"> • Contour lighting doors front / rear • Centre console contour lighting, front • Contour lighting with illuminated quattro lettering in the instrument panel on the passenger side 	R 4,000	R 4,000	S
PV6	Power seats in front including memory feature for both front seats	R 2,900	R 2,900	R 2,900
4A3	Seat heaters in front	R 5,500	R 5,500	R 5,500
4A4	Seat heaters in front and rear	R 6,270	R 6,270	R 6,270
5ZC	Variable head restraints in front	R 2,100	R 2,100	R 2,100
PE1	3rd row of seats Two seats in the rear with two additional ISOFIX child seat attachments with top tether, divisible and electrically foldable (flat loading floor). Electric folding can be operated from the trunk or in the access area of the 2nd row of seats. The seam pattern and / or material of the 3rd row of seats may differ from the seam pattern and / or material of the 1st and 2nd row of seats. Seats in the 2nd row of seats can be individually adjusted in length and backrest angle at a ratio of 35: 30: 35 and folded down (level loading floor). (forces alternative wheel, tyre mobility system and tool kit)	R 20,800	R 20,800	R 20,800
2PF	Sports contour leather-wrapped steering wheel w/ multi-function Plus, 3-spoke, flat-bottomed	R 1,650	R 1,650	R 1,650
6NQ	Headliner in Black fabric	R 4,400	R 4,400	S



Optional equipment | Q7

Seats & Upholstery:		45 TDI	45 TDI S line	45 TDI Competition Edition
N7K	Alcantara "Frequenz"/leather combination with embossed "S" logo Only available in conjunction with S line interior package - WQS	No cost	No cost	---
N1V	Valcona leather with embossed "S" logo Only available in conjunction with S line interior package - WQS	No cost	No cost	S
7TL	Decorative inserts in Grey Brown Natural Fine Grain Ash	R 8,200	R 8,200	---
7HQ	Upper part of dashboard with contrast stitching and lower part of dashboard in leatherette The upper part of instrument panel with contrasting stitching as well as the door armrests and centre console trim in artificial leather add striking accents in the interior.	R 11,200	R 11,200	R 11,200



Optional equipment | Q7

Audio/Infotainment/Technology:		45 TDI	45 TDI S line	45 TDI Competition Edition
9VS	Bang & Olufsen premium sound system with 3D sound Sound reproduction through 19 loudspeakers including 3D sound loudspeakers, centre speaker and subwoofer, 16-channel amplifier with a total output of 730 watts; Spatial sound reproduction through the 3D sound feature for the front seats. This is generated by additional broadband loudspeakers in the A-pillar, by the mid-range speakers and by Fraunhofer Symphoria technology.	R 15,700	R 15,700	R 15,700
UE8	USB ports with charging function in rear	R3,000	R3,000	R3,000
9WQ	Preparation for Rear Seat Entertainment Only available in conjunction with variable headrests for the front seats - 5ZC	R 3,100	R 3,100	R 3,100
9ZE	Audi phone box Offers wireless charging with Qi enabled compatible phones and creates an additional Bluetooth interface for a second device which means two mobile phones can be connected to the vehicle simultaneously.	R 6,390	R 6,390	R 6,390
KS1	Head-up display The multi-coloured head-up display is rich in contrast and projects driver information into the driver's direct field of view. It is highly visible and reduces distraction from the traffic.	R 23,770	R 23,770	R 23,770
9R1	Night vision assistant The night vision assist improves poor visibility in the dark by visualising the road and surroundings.	R 35,920	R 35,920	R 35,920



Optional equipment | Q7

<u>Assistance systems:</u>		45 TDI	45 TDI S line	45 TDI Competition Edition
6I5	<p>Lane departure warning with emergency assist Lane Departure Warning helps within the system limits to avoid unintentional leaving the lane. If the system is activated and ready and the driver has not set the indicator, the lane departure warning helps to avoid driving over recognized lane delimitation lines through corrective steering interventions. An additional steering wheel vibration can be set at the driver's request. Functional range from approx. 60 to a maximum of 250 km/h. Emergency assistant recognizes within the system limits when the driver is inactive. In such cases, it warns the driver optically, acoustically and haptically. If there is no response, the system takes control of the vehicle and automatically brings it to a standstill in its own lane.</p>	R 5,380	R 5,380	R 5,380
6I6	<p>Adaptive cruise assist with emergency assist On multi-lane motorways and urban roads, the system can help the vehicle maintain a steady position behind the vehicle ahead and stay in lane. This can noticeably improve driving comfort, e.g. on long journeys and in heavy city traffic. The integrated emergency assist can warn the driver of critical situations and, if necessary, initiate safety measures, such as optimisation of the seat position, and place an emergency call. Requires PCG & WFA at additional cost.</p>	R 7,400	R 7,400	R 7,400
PCH	<p>Lane change warning incl. Audi pre sense rear, exit warning system and rear cross traffic assist The lane change warning monitors the lane change, Audi pre sense rear activates preventive protective measures in the event of an impending rear-end collision. The package includes assistance systems for city traffic and driving on multi-lane roads. It provides support when changing lanes and blind spot detection.</p>	R 14,200	R 14,200	R 14,200
PCV	<p>Park Assist package with park assist plus Contains the following equipment: <ul style="list-style-type: none"> • 360 degree cameras • Intelligent park assistant plus The parking assistant plus enables parking in and out of parking spaces. The vehicle takes over steering, acceleration, braking and switching off the engine. The parking assistant plus is activated via the P button in the centre console, and brakes automatically in the event of obstacles, provided that it is detected within the system limits. The system can park forwards and backwards in parallel and perpendicular parking spaces and out of parallel parking spaces. A total of 12 ultrasonic sensors and intelligent image processing from the surrounding cameras continuously measure the vehicle environment.</p>	R 22,000	R 22,000	R 22,000
8T5	<p>Adaptive cruise control with speed limiter, efficiency assist, swerve assist and turn assist</p>	Comfort Package	Comfort Package	Comfort Package
6K8	<p>Audi pre sense front</p>	R 6,150	R 6,150	R 6,150



Optional equipment | Q7

Suspension and technology:		45 TDI	45 TDI S line	45 TDI Competition Edition
1BK	Adaptive air suspension Combines dynamics and comfort through ideal spring and damper coordination. Electronically controlled air suspension with continuously adaptive damping system on all four wheels; regulates the vehicle level and damping automatically depending on the load; different modes adjustable via Audi drive select.	R 27,900	S	S
0M5	Fuel tank with increased volume Increases fuel tank volume from 75l to 85l	R 1,600	R 1,600	R 1,600
4X4	Side airbags in rear For the outer seats in the second row, as a supplement for front side airbags and head airbag system	R 6,300	R 6,300	R 6,300
0N5	All-wheel steering Enables easier maneuvering, sporty driving behavior and confident, comfortable steering behavior. At low speeds, the steering effort and the turning circle is reduced by steering the rear wheels in opposite directions. This improves the responsiveness of the steering and driving stability of the Audi Q7.	Comfort Package	Comfort Package	Comfort Package



Important information

Welcome to Audi

Audi Freeway Plan | Motoring Peace of Mind

There can be no better motoring peace of mind than knowing that your car will be serviced, maintained and repaired, should this prove necessary, at no cost to you.

Thanks to Audi Freeway Plan, that peace of mind could be yours.

The Audi Freeway Plan absorbs all maintenance and service costs, with the exception of between-service top-up fluids, fuel, cracked or broken glass, and tyres.

Recommended retail pricing is inclusive of an optional 5 year/100,000 km Audi Freeway Plan on all new Audi vehicles.

Top-up options to extend maintenance are available at extremely competitive rates. Audi has specially designed the Audi Freeway Plan for easy operation on the part of the owner. Making an appointment with any one of our approved Audi Servicing Dealers can effect regular servicing and maintenance as well as repairs (with the exception of accident damage).

All work is handled by the relevant service department, which will liaise directly with the Audi Freeway Plan Maintenance Unit. No extra effort or payment is required from the Audi owner. The Audi Freeway Plan is registered with the vehicle and as such is transferable to the new owner should the car be sold before the Audi Freeway Plan has expired, giving added resale value. The Audi Freeway Plan is available in addition to Audi's standard one-year/unlimited distance vehicle warranty. The Audi Freeway Plan is subject to certain exclusions, covers any repairs necessary after the expiry of the standard warranty.

Audi Assist | Emergency and Personal Assistance

Audi Assist is a programme whereby Audi of South Africa and its Dealer Network pledge to provide you with peace of mind motoring by providing the infrastructure to support a countrywide emergency service 24 hours a day, every day.

The programme is known as Audi Assist and operates within the borders of South Africa as well as Namibia and Botswana. The objective of the programme is to ensure on the spot roadside assistance offered by a fully equipped and trained Audi technician.

The primary focus is to get you mobile in your own vehicle. Where a roadside repair cannot be effected and the vehicle needs to be towed to the nearest Audi dealer, you and the occupants of the vehicle will be transported to a place of safety in the dealer's roadside assistance vehicle.

Contact details within South Africa:

086 043 4838

Contact details for neighbouring states:

+27 41 994 5616

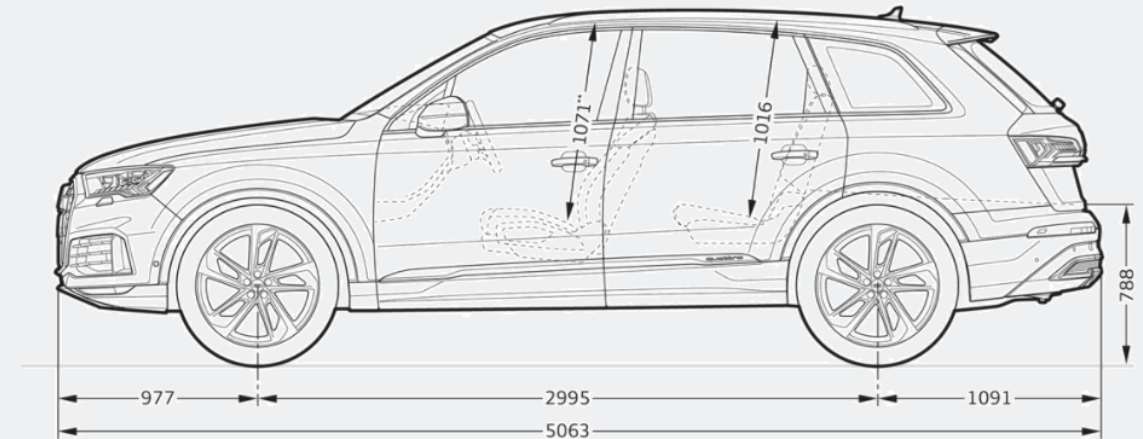
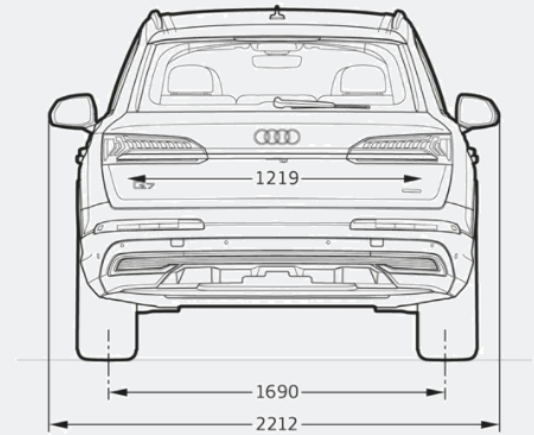
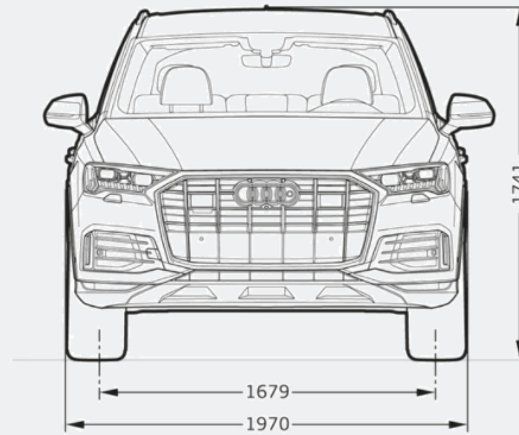
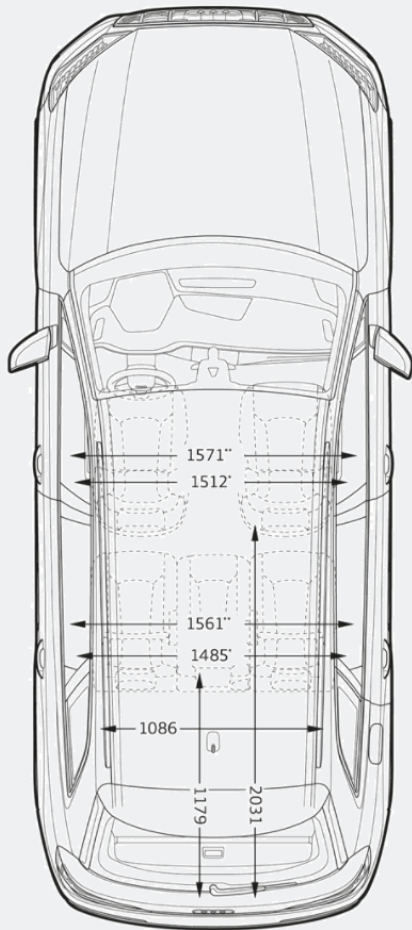
24 hours a day, 7 days a week

Vehicle model and VIN number will be required.



Audi Q7 Dimensions

All the measurements you need



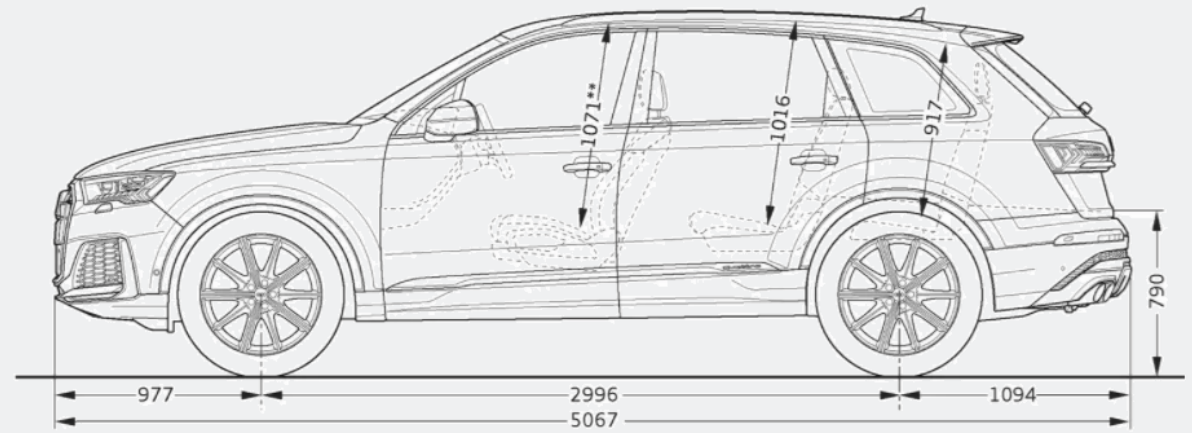
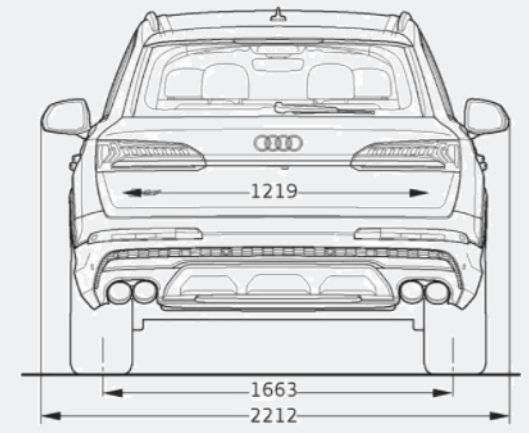
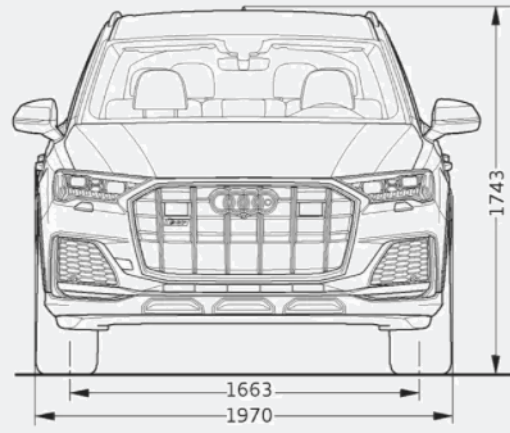
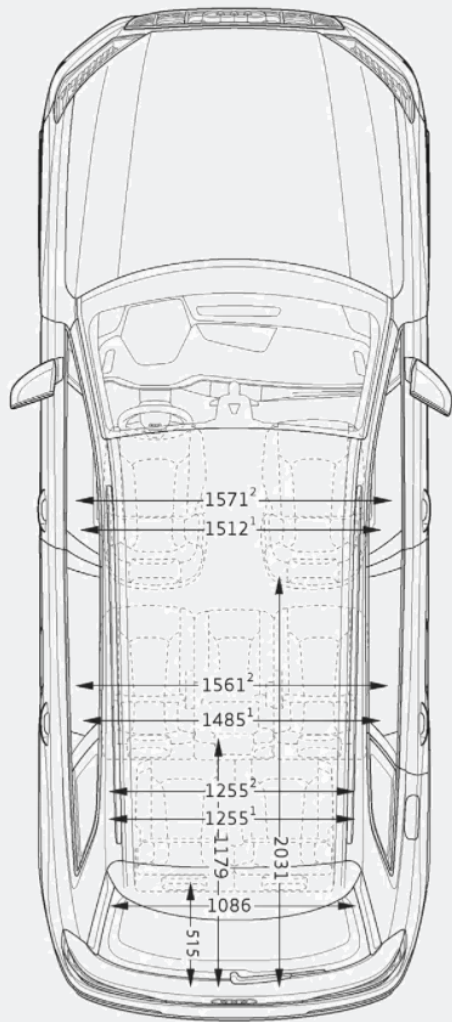
Audi Q7 luggage compartment capacity:

- 5-seater: 865l
- 7-seater: 740l



Audi SQ7 Dimensions

All the measurements you need



Audi SQ7 luggage compartment capacity:

- 5-seater: 803l
- 7-seater: 705l

Q7



Information in this pricelist

We've done all we can to make the prices, specifications, technical details and all other information you see in this pricelist accurate at the time of publication. We reserve the right to change prices or specification at any time. All prices shown include VAT, which is currently charged at 15%. Recommended retail pricing is not binding on the dealer and is inclusive of an optional 5 year/100,000km Audi Freeway Plan. Pricing and specification is valid for vehicles produced from model year 2025 onwards.

Please check model availability and full specification details with your Audi Dealership prior to ordering. Neither Audi South Africa nor Audi Dealers can accept contractual responsibility for your reliance on the information contained in this pricelist. Performance figures and specifications relating to Audi vehicles are indicative only and performance cannot be guaranteed. Performance figures and specifications may be updated from time to time, when new test results or other information become available. Your local Audi Dealership can always provide you with the most up-to-date information available. Written and visual depictions (including photographs) of vehicles, are for illustrative purposes only and should not be relied upon. Some illustrations may not accurately reflect South African specifications (including paint and trim colours) and may not be available. If in doubt, always contact your local Audi Dealership